



RoHS Compliant

Right Angle, Multi-Directional Actuator, Process Sealed Tactile

Specifications

Electrical Ratings	50mA @ 48VDC
Electrical Life	100,000 cycles typical
Contact Resistance	<50mΩ initial
Actuation Force	130 ± 50gF 200 ± 50gF 300 ± 50gF 500 ± 50gF

Actuator Travel	1.6 ± .25mm
Dielectric Strength	500Vrms min
Insulation Resistance	>100MΩ min
Operating Temperature	-40°C to 85°C
Storage Temperature	-40°C to 85°C
Sealing Degree	IP67 : Protection against harmful dust deposits and temporary immersion: Sealed against a typical soldering and cleaning process contamination.

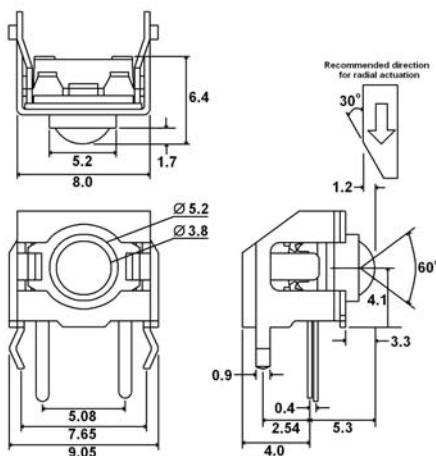
Materials

Actuator	Stainless Steel
Actuator Cover	Stainless Steel
Switch Housing	6/6 Nylon
Bracket	Steel, Tin Plated
Contacts	Stainless Steel, Silver
Terminals	Brass, Silver

Ordering Information

1. Series	STJV	F300	Q
STJV			
2. Actuation Force			
F130 = F130gF			
F200 = F200gF			
F300 = F300gF			
F500 = F500gF			
3. Contact Material			
Q = Silver			

Dimensions



Schematic & PC Layout

